

74AUP1G125

Low-power buffer/line driver; 3-state

Rev. 02 — 30 June 2006

Product data sheet

1. General description

The 74AUP1G125 is a high-performance, low-power, low-voltage, Si-gate CMOS device, superior to most advanced CMOS compatible TTL families. Schmitt-trigger action at all inputs makes the circuit tolerant to slower input rise and fall times across the entire V_{CC} range from 0.8 V to 3.6 V. This device ensures a very low static and dynamic power consumption across the entire V_{CC} range from 0.8 V to 3.6 V.

This device is fully specified for partial Power-down applications using I_{OFF} . The I_{OFF} circuitry disables the output, preventing the damaging backflow current through the device when it is powered down.

The 74AUP1G125 provides the single non-inverting buffer/line driver with 3-state output. The 3-state output is controlled by the output enable input (\overline{OE}).

A HIGH level at pin \overline{OE} causes the output to assume a high-impedance OFF-state. This device has the input-disable feature, which allows floating input signals. The inputs are disabled when \overline{OE} is HIGH.

2. Features

- Wide supply voltage range from 0.8 V to 3.6 V
- High noise immunity
- Complies with JEDEC standards:
 - ◆ JESD8-12 (0.8 V to 1.3 V)
 - ◆ JESD8-11 (0.9 V to 1.65 V)
 - ◆ JESD8-7 (1.2 V to 1.95 V)
 - ◆ JESD8-5 (1.8 V to 2.7 V)
 - ◆ JESD8-B (2.7 V to 3.6 V)
- ESD protection:
 - ◆ HBM JESD22-A114-C Class 3A. Exceeds 5000 V
 - ◆ MM JESD22-A115-A exceeds 200 V
 - ◆ CDM JESD22-C101-C exceeds 1000 V
- Low static power consumption; $I_{CC} = 0.9 \mu\text{A}$ (maximum)
- Latch-up performance exceeds 100 mA per JESD 78 Class II
- Inputs accept voltages up to 3.6 V
- Low noise overshoot and undershoot < 10 % of V_{CC}
- Input-disable feature allows floating input conditions
- I_{OFF} circuitry provides partial Power-down mode operation
- Multiple package options
- Specified from $-40\text{ }^{\circ}\text{C}$ to $+85\text{ }^{\circ}\text{C}$ and $-40\text{ }^{\circ}\text{C}$ to $+125\text{ }^{\circ}\text{C}$

PHILIPS

3. Ordering information

Table 1: Ordering information

| Type number | Package | | | Version |
|--------------|-------------------|--------|---|----------|
| | Temperature range | Name | Description | |
| 74AUP1G125GW | -40 °C to +125 °C | TSSOP5 | plastic thin shrink small outline package; 5 leads; body width 1.25 mm | SOT353-1 |
| 74AUP1G125GM | -40 °C to +125 °C | XSON6 | plastic extremely thin small outline package; no leads; 6 terminals; body 1 × 1.45 × 0.5 mm | SOT886 |
| 74AUP1G125GF | -40 °C to +125 °C | XSON6 | plastic extremely thin small outline package; no leads; 6 terminals; body 1 × 1 × 0.5 mm | SOT891 |

4. Marking

Table 2: Marking

| Type number | Marking code |
|--------------|--------------|
| 74AUP1G125GW | pM |
| 74AUP1G125GM | pM |
| 74AUP1G125GF | pM |

5. Functional diagram

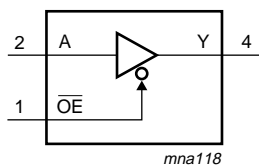


Fig 1. Logic symbol

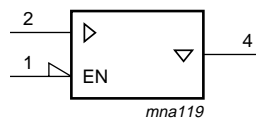


Fig 2. IEC logic symbol

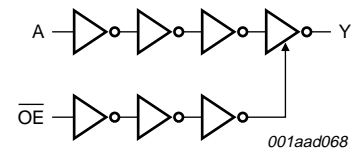
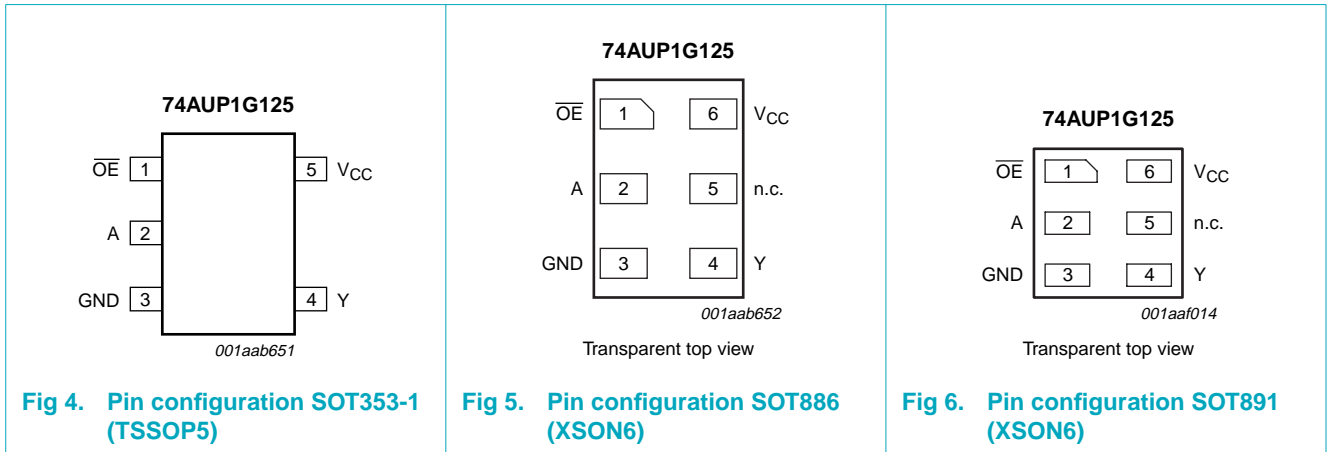


Fig 3. Logic diagram

6. Pinning information

6.1 Pinning



6.2 Pin description

Table 3: Pin description

| Symbol | Pin | | Description |
|--------|--------|-------|---------------------|
| | TSSOP5 | XSON6 | |
| OE | 1 | 1 | output enable input |
| A | 2 | 2 | data input |
| GND | 3 | 3 | ground (0 V) |
| Y | 4 | 4 | data output |
| n.c. | - | 5 | not connected |
| VCC | 5 | 6 | supply voltage |

7. Functional description

Table 4: Function table^[1]

| Input | | | Output |
|-------|---|--|--------|
| OE | A | | Y |
| L | L | | L |
| L | H | | H |
| H | X | | Z |

[1] H = HIGH voltage level;
 L = LOW voltage level;
 X = Don't care;
 Z = high-impedance OFF-state.

8. Limiting values

Table 5: Limiting values

In accordance with the Absolute Maximum Rating System (IEC 60134). Voltages are referenced to GND (ground = 0 V).

| Symbol | Parameter | Conditions | Min | Max | Unit |
|-----------|-------------------------|-------------------------------|----------|----------------|------|
| V_{CC} | supply voltage | | -0.5 | +4.6 | V |
| I_{IK} | input clamping current | $V_I < 0$ V | - | -50 | mA |
| V_I | input voltage | | [1] -0.5 | +4.6 | V |
| I_{OK} | output clamping current | $V_O > V_{CC}$ or $V_O < 0$ V | - | ± 50 | mA |
| V_O | output voltage | Active mode | [1] -0.5 | $V_{CC} + 0.5$ | V |
| | | Power-down mode | [1] -0.5 | +4.6 | V |
| I_O | output current | $V_O = 0$ V to V_{CC} | - | ± 20 | mA |
| I_{CC} | supply current | | - | +50 | mA |
| I_{GND} | ground current | | - | -50 | mA |
| T_{stg} | storage temperature | | -65 | +150 | °C |
| P_{tot} | total power dissipation | $T_{amb} = -40$ °C to +125 °C | [2] - | 250 | mW |

[1] The input and output voltage ratings may be exceeded if the input and output current ratings are observed.

[2] For TSSOP5 packages: above 87.5 °C the value of P_{tot} derates linearly with 4.0 mW/K.
For XSON6 packages: above 45 °C the value of P_{tot} derates linearly with 2.4 mW/K.

9. Recommended operating conditions

Table 6: Recommended operating conditions

| Symbol | Parameter | Conditions | Min | Max | Unit |
|---------------------|-------------------------------------|---------------------------------|-----|----------|------|
| V_{CC} | supply voltage | | 0.8 | 3.6 | V |
| V_I | input voltage | | 0 | 3.6 | V |
| V_O | output voltage | Active mode | 0 | V_{CC} | V |
| | | Power-down mode; $V_{CC} = 0$ V | 0 | 3.6 | V |
| T_{amb} | ambient temperature | | -40 | +125 | °C |
| $\Delta t/\Delta V$ | input transition rise and fall rate | $V_{CC} = 0.8$ V to 3.6 V | 0 | 200 | ns/V |

10. Static characteristics

Table 7: Static characteristics

At recommended operating conditions; voltages are referenced to GND (ground = 0 V).

| Symbol | Parameter | Conditions | Min | Typ | Max | Unit |
|--------------------------------|--------------------------------------|---|------------------------|-----|------------------------|------|
| T_{amb} = 25 °C | | | | | | |
| V _{IH} | HIGH-state input voltage | V _{CC} = 0.8 V | 0.70 × V _{CC} | - | - | V |
| | | V _{CC} = 0.9 V to 1.95 V | 0.65 × V _{CC} | - | - | V |
| | | V _{CC} = 2.3 V to 2.7 V | 1.6 | - | - | V |
| | | V _{CC} = 3.0 V to 3.6 V | 2.0 | - | - | V |
| V _{IL} | LOW-state input voltage | V _{CC} = 0.8 V | - | - | 0.30 × V _{CC} | V |
| | | V _{CC} = 0.9 V to 1.95 V | - | - | 0.35 × V _{CC} | V |
| | | V _{CC} = 2.3 V to 2.7 V | - | - | 0.7 | V |
| | | V _{CC} = 3.0 V to 3.6 V | - | - | 0.9 | V |
| V _{OH} | HIGH-state output voltage | V _I = V _{IH} or V _{IL} | | | | |
| | | I _O = -20 μA; V _{CC} = 0.8 V to 3.6 V | V _{CC} - 0.1 | - | - | V |
| | | I _O = -1.1 mA; V _{CC} = 1.1 V | 0.75 × V _{CC} | - | - | V |
| | | I _O = -1.7 mA; V _{CC} = 1.4 V | 1.11 | - | - | V |
| | | I _O = -1.9 mA; V _{CC} = 1.65 V | 1.32 | - | - | V |
| | | I _O = -2.3 mA; V _{CC} = 2.3 V | 2.05 | - | - | V |
| | | I _O = -3.1 mA; V _{CC} = 2.3 V | 1.9 | - | - | V |
| | | I _O = -2.7 mA; V _{CC} = 3.0 V | 2.72 | - | - | V |
| | | I _O = -4.0 mA; V _{CC} = 3.0 V | 2.6 | - | - | V |
| V _{OL} | LOW-state output voltage | V _I = V _{IH} or V _{IL} | | | | |
| | | I _O = 20 μA; V _{CC} = 0.8 V to 3.6 V | - | - | 0.1 | V |
| | | I _O = 1.1 mA; V _{CC} = 1.1 V | - | - | 0.3 × V _{CC} | V |
| | | I _O = 1.7 mA; V _{CC} = 1.4 V | - | - | 0.31 | V |
| | | I _O = 1.9 mA; V _{CC} = 1.65 V | - | - | 0.31 | V |
| | | I _O = 2.3 mA; V _{CC} = 2.3 V | - | - | 0.31 | V |
| | | I _O = 3.1 mA; V _{CC} = 2.3 V | - | - | 0.44 | V |
| | | I _O = 2.7 mA; V _{CC} = 3.0 V | - | - | 0.31 | V |
| | | I _O = 4.0 mA; V _{CC} = 3.0 V | - | - | 0.44 | V |
| I _I | input leakage current | V _I = GND to 3.6 V; V _{CC} = 0 V to 3.6 V | - | - | ±0.1 | μA |
| I _{OZ} | 3-state output OFF-state current | V _I = V _{IH} or V _{IL} ; V _O = 0 V to 3.6 V; V _{CC} = 0 V to 3.6 V | - | - | ±0.1 | μA |
| I _{OFF} | power-off leakage current | V _I or V _O = 0 V to 3.6 V; V _{CC} = 0 V | - | - | ±0.2 | μA |
| ΔI _{OFF} | additional power-off leakage current | V _I or V _O = 0 V to 3.6 V; V _{CC} = 0 V to 0.2 V | - | - | ±0.2 | μA |
| I _{CC} | supply current | V _I = GND or V _{CC} ; I _O = 0 A; V _{CC} = 0.8 V to 3.6 V | - | - | 0.5 | μA |

Table 7: Static characteristics ...continued

At recommended operating conditions; voltages are referenced to GND (ground = 0 V).

| Symbol | Parameter | Conditions | Min | Typ | Max | Unit | |
|---|----------------------------------|--|--|-----|----------------------|---------|----|
| ΔI_{CC} | additional supply current | data input; $V_I = V_{CC} - 0.6$ V; $I_O = 0$ A; $V_{CC} = 3.3$ V | [1] | - | 40 | μ A | |
| | | \overline{OE} input; $V_I = V_{CC} - 0.6$ V; $I_O = 0$ A; $V_{CC} = 3.3$ V | [1] | - | 110 | μ A | |
| | | all inputs; $V_I =$ GND to 3.6 V; $OE = V_{CC}$; $V_{CC} = 0.8$ V to 3.6 V | [2] | - | 1 | μ A | |
| C_I | input capacitance | $V_{CC} = 0$ V to 3.6 V; $V_I =$ GND or V_{CC} | - | 0.9 | - | pF | |
| C_O | output capacitance | output enabled | $V_O =$ GND; $V_{CC} = 0$ V | - | 1.7 | - | pF |
| | | output disabled | $V_{CC} = 0$ V to 3.6 V; $V_O =$ GND or V_{CC} | - | 1.5 | - | pF |
| | | | | | | | |
| $T_{amb} = -40$ °C to $+85$ °C | | | | | | | |
| V_{IH} | HIGH-state input voltage | $V_{CC} = 0.8$ V | $0.70 \times V_{CC}$ | - | - | V | |
| | | $V_{CC} = 0.9$ V to 1.95 V | $0.65 \times V_{CC}$ | - | - | V | |
| | | $V_{CC} = 2.3$ V to 2.7 V | 1.6 | - | - | V | |
| | | $V_{CC} = 3.0$ V to 3.6 V | 2.0 | - | - | V | |
| V_{IL} | LOW-state input voltage | $V_{CC} = 0.8$ V | - | - | $0.30 \times V_{CC}$ | V | |
| | | $V_{CC} = 0.9$ V to 1.95 V | - | - | $0.35 \times V_{CC}$ | V | |
| | | $V_{CC} = 2.3$ V to 2.7 V | - | - | 0.7 | V | |
| | | $V_{CC} = 3.0$ V to 3.6 V | - | - | 0.9 | V | |
| V_{OH} | HIGH-state output voltage | $V_I = V_{IH}$ or V_{IL} | | | | | |
| | | $I_O = -20$ μ A; $V_{CC} = 0.8$ V to 3.6 V | $V_{CC} - 0.1$ | - | - | V | |
| | | $I_O = -1.1$ mA; $V_{CC} = 1.1$ V | $0.7 \times V_{CC}$ | - | - | V | |
| | | $I_O = -1.7$ mA; $V_{CC} = 1.4$ V | 1.03 | - | - | V | |
| | | $I_O = -1.9$ mA; $V_{CC} = 1.65$ V | 1.30 | - | - | V | |
| | | $I_O = -2.3$ mA; $V_{CC} = 2.3$ V | 1.97 | - | - | V | |
| | | $I_O = -3.1$ mA; $V_{CC} = 2.3$ V | 1.85 | - | - | V | |
| | | $I_O = -2.7$ mA; $V_{CC} = 3.0$ V | 2.67 | - | - | V | |
| V_{OL} | LOW-state output voltage | $V_I = V_{IH}$ or V_{IL} | | | | | |
| | | $I_O = 20$ μ A; $V_{CC} = 0.8$ V to 3.6 V | - | - | 0.1 | V | |
| | | $I_O = 1.1$ mA; $V_{CC} = 1.1$ V | - | - | $0.3 \times V_{CC}$ | V | |
| | | $I_O = 1.7$ mA; $V_{CC} = 1.4$ V | - | - | 0.37 | V | |
| | | $I_O = 1.9$ mA; $V_{CC} = 1.65$ V | - | - | 0.35 | V | |
| | | $I_O = 2.3$ mA; $V_{CC} = 2.3$ V | - | - | 0.33 | V | |
| | | $I_O = 3.1$ mA; $V_{CC} = 2.3$ V | - | - | 0.45 | V | |
| | | $I_O = 2.7$ mA; $V_{CC} = 3.0$ V | - | - | 0.33 | V | |
| I_I | input leakage current | $V_I =$ GND to 3.6 V; $V_{CC} = 0$ V to 3.6 V | - | - | ± 0.5 | μ A | |
| | | | | | | | |
| I_{OZ} | 3-state output OFF-state current | $V_I = V_{IH}$ or V_{IL} ; $V_O = 0$ V to 3.6 V; $V_{CC} = 0$ V to 3.6 V | - | - | ± 0.5 | μ A | |
| I_{OFF} | power-off leakage current | V_I or $V_O = 0$ V to 3.6 V; $V_{CC} = 0$ V | - | - | ± 0.5 | μ A | |

Table 7: Static characteristics ...continued

At recommended operating conditions; voltages are referenced to GND (ground = 0 V).

| Symbol | Parameter | Conditions | Min | Typ | Max | Unit |
|--|--------------------------------------|--|----------------------|-----|----------------------|---------|
| ΔI_{OFF} | additional power-off leakage current | V_I or $V_O = 0$ V to 3.6 V; $V_{CC} = 0$ V to 0.2 V | - | - | ± 0.6 | μ A |
| I_{CC} | supply current | $V_I = \text{GND}$ or V_{CC} ; $I_O = 0$ A; $V_{CC} = 0.8$ V to 3.6 V | - | - | 0.9 | μ A |
| ΔI_{CC} | additional supply current | data input; $V_I = V_{CC} - 0.6$ V; $I_O = 0$ A; $V_{CC} = 3.3$ V | [1] | - | 50 | μ A |
| | | \overline{OE} input; $V_I = V_{CC} - 0.6$ V; $I_O = 0$ A; $V_{CC} = 3.3$ V | [1] | - | 120 | μ A |
| | | all inputs; $V_I = \text{GND}$ to 3.6 V; $\overline{OE} = V_{CC}$; $V_{CC} = 0.8$ V to 3.6 V | [2] | - | 1 | μ A |
| $T_{amb} = -40$ °C to $+125$ °C | | | | | | |
| V_{IH} | HIGH-state input voltage | $V_{CC} = 0.8$ V | $0.75 \times V_{CC}$ | - | - | V |
| | | $V_{CC} = 0.9$ V to 1.95 V | $0.70 \times V_{CC}$ | - | - | V |
| | | $V_{CC} = 2.3$ V to 2.7 V | 1.6 | - | - | V |
| | | $V_{CC} = 3.0$ V to 3.6 V | 2.0 | - | - | V |
| V_{IL} | LOW-state input voltage | $V_{CC} = 0.8$ V | - | - | $0.25 \times V_{CC}$ | V |
| | | $V_{CC} = 0.9$ V to 1.95 V | - | - | $0.30 \times V_{CC}$ | V |
| | | $V_{CC} = 2.3$ V to 2.7 V | - | - | 0.7 | V |
| | | $V_{CC} = 3.0$ V to 3.6 V | - | - | 0.9 | V |
| V_{OH} | HIGH-state output voltage | $V_I = V_{IH}$ or V_{IL} | | | | |
| | | $I_O = -20$ μ A; $V_{CC} = 0.8$ V to 3.6 V | $V_{CC} - 0.11$ | - | - | V |
| | | $I_O = -1.1$ mA; $V_{CC} = 1.1$ V | $0.6 \times V_{CC}$ | - | - | V |
| | | $I_O = -1.7$ mA; $V_{CC} = 1.4$ V | 0.93 | - | - | V |
| | | $I_O = -1.9$ mA; $V_{CC} = 1.65$ V | 1.17 | - | - | V |
| | | $I_O = -2.3$ mA; $V_{CC} = 2.3$ V | 1.77 | - | - | V |
| | | $I_O = -3.1$ mA; $V_{CC} = 2.3$ V | 1.67 | - | - | V |
| | | $I_O = -2.7$ mA; $V_{CC} = 3.0$ V | 2.40 | - | - | V |
| $I_O = -4.0$ mA; $V_{CC} = 3.0$ V | 2.30 | - | - | V | | |
| V_{OL} | LOW-state output voltage | $V_I = V_{IH}$ or V_{IL} | | | | |
| | | $I_O = 20$ μ A; $V_{CC} = 0.8$ V to 3.6 V | - | - | 0.11 | V |
| | | $I_O = 1.1$ mA; $V_{CC} = 1.1$ V | - | - | $0.33 \times V_{CC}$ | V |
| | | $I_O = 1.7$ mA; $V_{CC} = 1.4$ V | - | - | 0.41 | V |
| | | $I_O = 1.9$ mA; $V_{CC} = 1.65$ V | - | - | 0.39 | V |
| | | $I_O = 2.3$ mA; $V_{CC} = 2.3$ V | - | - | 0.36 | V |
| | | $I_O = 3.1$ mA; $V_{CC} = 2.3$ V | - | - | 0.50 | V |
| | | $I_O = 2.7$ mA; $V_{CC} = 3.0$ V | - | - | 0.36 | V |
| $I_O = 4.0$ mA; $V_{CC} = 3.0$ V | - | - | 0.50 | V | | |
| I_I | input leakage current | $V_I = \text{GND}$ to 3.6 V; $V_{CC} = 0$ V to 3.6 V | - | - | ± 0.75 | μ A |
| I_{OZ} | 3-state output OFF-state current | $V_I = V_{IH}$ or V_{IL} ; $V_O = 0$ V to 3.6 V; $V_{CC} = 0$ V to 3.6 V | - | - | ± 0.75 | μ A |
| I_{OFF} | power-off leakage current | V_I or $V_O = 0$ V to 3.6 V; $V_{CC} = 0$ V | - | - | ± 0.75 | μ A |

Table 7: Static characteristics ...continued

At recommended operating conditions; voltages are referenced to GND (ground = 0 V).

| Symbol | Parameter | Conditions | Min | Typ | Max | Unit |
|------------------|--------------------------------------|---|-----|-----|------------|---------|
| ΔI_{OFF} | additional power-off leakage current | V_I or $V_O = 0$ V to 3.6 V; $V_{CC} = 0$ V to 0.2 V | - | - | ± 0.75 | μA |
| I_{CC} | supply current | $V_I = GND$ or V_{CC} ; $I_O = 0$ A; $V_{CC} = 0.8$ V to 3.6 V | - | - | 1.4 | μA |
| ΔI_{CC} | additional supply current | data input; $V_I = V_{CC} - 0.6$ V; $I_O = 0$ A; $V_{CC} = 3.3$ V | [1] | - | 75 | μA |
| | | \overline{OE} input; $V_I = V_{CC} - 0.6$ V; $I_O = 0$ A; $V_{CC} = 3.3$ V | [1] | - | 180 | μA |
| | | all inputs; $V_I = GND$ to 3.6 V; $\overline{OE} = V_{CC}$; $V_{CC} = 0.8$ V to 3.6 V | [2] | - | 1 | μA |

[1] One input at $V_{CC} - 0.6$ V, other input at V_{CC} or GND.

[2] To show I_{CC} remains very low when the input-disable feature is enabled.

11. Dynamic characteristics

Table 8: Dynamic characteristics

Voltages are referenced to GND (ground = 0 V); for test circuit see [Figure 9](#)

| Symbol | Parameter | Conditions | Min | Typ [1] | Max | Unit |
|--|---|------------------------------|-----|---------|------|------|
| $T_{amb} = 25$ °C; $C_L = 5$ pF | | | | | | |
| t_{PHL} , t_{PLH} | HIGH-to-LOW and LOW-to-HIGH propagation delay A to Y | see Figure 7 | | | | |
| | | $V_{CC} = 0.8$ V | - | 20.6 | - | ns |
| | | $V_{CC} = 1.1$ V to 1.3 V | 2.8 | 5.5 | 10.5 | ns |
| | | $V_{CC} = 1.4$ V to 1.6 V | 2.2 | 3.9 | 6.1 | ns |
| | | $V_{CC} = 1.65$ V to 1.95 V | 1.9 | 3.2 | 4.8 | ns |
| | | $V_{CC} = 2.3$ V to 2.7 V | 1.6 | 2.6 | 3.6 | ns |
| t_{PZH} , t_{PZL} | OFF-state to HIGH and OFF-state to LOW propagation delay \overline{OE} to Y | see Figure 8 | | | | |
| | | $V_{CC} = 0.8$ V | - | 69.9 | - | ns |
| | | $V_{CC} = 1.1$ V to 1.3 V | 3.1 | 6.1 | 11.8 | ns |
| | | $V_{CC} = 1.4$ V to 1.6 V | 2.5 | 4.2 | 6.6 | ns |
| | | $V_{CC} = 1.65$ V to 1.95 V | 2.1 | 3.4 | 5.1 | ns |
| | | $V_{CC} = 2.3$ V to 2.7 V | 1.8 | 2.6 | 3.7 | ns |
| t_{PHZ} , t_{PLZ} | HIGH to OFF-state and LOW to OFF-state propagation delay \overline{OE} to Y | see Figure 8 | | | | |
| | | $V_{CC} = 0.8$ V | - | 14.3 | - | ns |
| | | $V_{CC} = 1.1$ V to 1.3 V | 2.7 | 4.3 | 6.5 | ns |
| | | $V_{CC} = 1.4$ V to 1.6 V | 2.1 | 3.2 | 4.4 | ns |
| | | $V_{CC} = 1.65$ V to 1.95 V | 2.0 | 3.0 | 4.3 | ns |
| | | $V_{CC} = 2.3$ V to 2.7 V | 1.4 | 2.2 | 2.9 | ns |
| $V_{CC} = 3.0$ V to 3.6 V | 1.7 | 2.5 | 3.2 | ns | | |

Table 8: Dynamic characteristics ...continuedVoltages are referenced to GND (ground = 0 V); for test circuit see [Figure 9](#)

| Symbol | Parameter | Conditions | Min | Typ [1] | Max | Unit |
|---|---|---|-----|---------|------|------|
| $T_{amb} = 25\text{ }^{\circ}\text{C}$; $C_L = 10\text{ pF}$ | | | | | | |
| t_{PHL} , t_{PLH} | HIGH-to-LOW and LOW-to-HIGH propagation delay A to Y | see Figure 7 | | | | |
| | | $V_{CC} = 0.8\text{ V}$ | - | 24.0 | - | ns |
| | | $V_{CC} = 1.1\text{ V to }1.3\text{ V}$ | 3.2 | 6.4 | 12.3 | ns |
| | | $V_{CC} = 1.4\text{ V to }1.6\text{ V}$ | 2.1 | 4.5 | 7.3 | ns |
| | | $V_{CC} = 1.65\text{ V to }1.95\text{ V}$ | 1.9 | 3.8 | 5.5 | ns |
| | | $V_{CC} = 2.3\text{ V to }2.7\text{ V}$ | 2.1 | 3.2 | 4.2 | ns |
| t_{PZH} , t_{PZL} | OFF-state to HIGH and OFF-state to LOW propagation delay \overline{OE} to Y | see Figure 8 | | | | |
| | | $V_{CC} = 0.8\text{ V}$ | - | 73.7 | - | ns |
| | | $V_{CC} = 1.1\text{ V to }1.3\text{ V}$ | 3.6 | 6.9 | 13.5 | ns |
| | | $V_{CC} = 1.4\text{ V to }1.6\text{ V}$ | 2.3 | 4.8 | 7.7 | ns |
| | | $V_{CC} = 1.65\text{ V to }1.95\text{ V}$ | 2.0 | 3.9 | 5.8 | ns |
| | | $V_{CC} = 2.3\text{ V to }2.7\text{ V}$ | 1.8 | 3.2 | 4.3 | ns |
| t_{PHZ} , t_{PLZ} | HIGH to OFF-state and LOW to OFF-state propagation delay \overline{OE} to Y | see Figure 8 | | | | |
| | | $V_{CC} = 0.8\text{ V}$ | - | 32.7 | - | ns |
| | | $V_{CC} = 1.1\text{ V to }1.3\text{ V}$ | 3.4 | 5.4 | 7.9 | ns |
| | | $V_{CC} = 1.4\text{ V to }1.6\text{ V}$ | 2.2 | 4.1 | 5.5 | ns |
| | | $V_{CC} = 1.65\text{ V to }1.95\text{ V}$ | 2.2 | 4.2 | 5.6 | ns |
| | | $V_{CC} = 2.3\text{ V to }2.7\text{ V}$ | 1.7 | 3.0 | 3.8 | ns |
| t_{PHL} , t_{PLH} | HIGH-to-LOW and LOW-to-HIGH propagation delay A to Y | see Figure 7 | | | | |
| | | $V_{CC} = 0.8\text{ V}$ | - | 27.4 | - | ns |
| | | $V_{CC} = 1.1\text{ V to }1.3\text{ V}$ | 3.6 | 7.2 | 14.1 | ns |
| | | $V_{CC} = 1.4\text{ V to }1.6\text{ V}$ | 3.0 | 5.1 | 8.1 | ns |
| | | $V_{CC} = 1.65\text{ V to }1.95\text{ V}$ | 2.2 | 4.3 | 6.3 | ns |
| | | $V_{CC} = 2.3\text{ V to }2.7\text{ V}$ | 2.0 | 3.7 | 4.9 | ns |
| t_{PZH} , t_{PZL} | OFF-state to HIGH and OFF-state to LOW propagation delay \overline{OE} to Y | see Figure 8 | | | | |
| | | $V_{CC} = 0.8\text{ V}$ | - | 77.5 | - | ns |
| | | $V_{CC} = 1.1\text{ V to }1.3\text{ V}$ | 4.0 | 7.7 | 15.2 | ns |
| | | $V_{CC} = 1.4\text{ V to }1.6\text{ V}$ | 3.0 | 5.3 | 8.4 | ns |
| | | $V_{CC} = 1.65\text{ V to }1.95\text{ V}$ | 2.3 | 4.4 | 6.5 | ns |
| | | $V_{CC} = 2.3\text{ V to }2.7\text{ V}$ | 2.1 | 3.6 | 5.0 | ns |
| t_{PHL} , t_{PLH} | HIGH-to-LOW and LOW-to-HIGH propagation delay A to Y | see Figure 7 | | | | |
| | | $V_{CC} = 0.8\text{ V}$ | - | 27.4 | - | ns |
| | | $V_{CC} = 1.1\text{ V to }1.3\text{ V}$ | 3.6 | 7.2 | 14.1 | ns |
| | | $V_{CC} = 1.4\text{ V to }1.6\text{ V}$ | 3.0 | 5.1 | 8.1 | ns |
| | | $V_{CC} = 1.65\text{ V to }1.95\text{ V}$ | 2.2 | 4.3 | 6.3 | ns |
| | | $V_{CC} = 2.3\text{ V to }2.7\text{ V}$ | 2.0 | 3.7 | 4.9 | ns |
| t_{PZH} , t_{PZL} | OFF-state to HIGH and OFF-state to LOW propagation delay \overline{OE} to Y | see Figure 8 | | | | |
| | | $V_{CC} = 0.8\text{ V}$ | - | 77.5 | - | ns |
| | | $V_{CC} = 1.1\text{ V to }1.3\text{ V}$ | 4.0 | 7.7 | 15.2 | ns |
| | | $V_{CC} = 1.4\text{ V to }1.6\text{ V}$ | 3.0 | 5.3 | 8.4 | ns |
| | | $V_{CC} = 1.65\text{ V to }1.95\text{ V}$ | 2.3 | 4.4 | 6.5 | ns |
| | | $V_{CC} = 2.3\text{ V to }2.7\text{ V}$ | 2.1 | 3.6 | 5.0 | ns |
| t_{PHL} , t_{PLH} | HIGH-to-LOW and LOW-to-HIGH propagation delay A to Y | see Figure 7 | | | | |
| | | $V_{CC} = 0.8\text{ V}$ | - | 27.4 | - | ns |
| | | $V_{CC} = 1.1\text{ V to }1.3\text{ V}$ | 3.6 | 7.2 | 14.1 | ns |
| | | $V_{CC} = 1.4\text{ V to }1.6\text{ V}$ | 3.0 | 5.1 | 8.1 | ns |
| | | $V_{CC} = 1.65\text{ V to }1.95\text{ V}$ | 2.2 | 4.3 | 6.3 | ns |
| | | $V_{CC} = 2.3\text{ V to }2.7\text{ V}$ | 2.0 | 3.7 | 4.9 | ns |
| t_{PZH} , t_{PZL} | OFF-state to HIGH and OFF-state to LOW propagation delay \overline{OE} to Y | see Figure 8 | | | | |
| | | $V_{CC} = 0.8\text{ V}$ | - | 77.5 | - | ns |
| | | $V_{CC} = 1.1\text{ V to }1.3\text{ V}$ | 4.0 | 7.7 | 15.2 | ns |
| | | $V_{CC} = 1.4\text{ V to }1.6\text{ V}$ | 3.0 | 5.3 | 8.4 | ns |
| | | $V_{CC} = 1.65\text{ V to }1.95\text{ V}$ | 2.3 | 4.4 | 6.5 | ns |
| | | $V_{CC} = 2.3\text{ V to }2.7\text{ V}$ | 2.1 | 3.6 | 5.0 | ns |

Table 8: Dynamic characteristics ...continuedVoltages are referenced to GND (ground = 0 V); for test circuit see [Figure 9](#)

| Symbol | Parameter | Conditions | Min | Typ [1] | Max | Unit |
|---|---|---|-----|---------|------|------|
| t_{PHZ} , t_{PLZ} | HIGH to OFF-state and LOW to OFF-state propagation delay \overline{OE} to Y | see Figure 8 | | | | |
| | | $V_{CC} = 0.8\text{ V}$ | - | 60.8 | - | ns |
| | | $V_{CC} = 1.1\text{ V to }1.3\text{ V}$ | 4.3 | 6.5 | 9.2 | ns |
| | | $V_{CC} = 1.4\text{ V to }1.6\text{ V}$ | 3.0 | 5.0 | 6.5 | ns |
| | | $V_{CC} = 1.65\text{ V to }1.95\text{ V}$ | 3.0 | 5.3 | 6.6 | ns |
| | | $V_{CC} = 2.3\text{ V to }2.7\text{ V}$ | 2.1 | 3.8 | 4.9 | ns |
| | | $V_{CC} = 3.0\text{ V to }3.6\text{ V}$ | 2.9 | 5.0 | 6.2 | ns |
| $T_{amb} = 25\text{ }^{\circ}\text{C}$; $C_L = 30\text{ pF}$ | | | | | | |
| t_{PHL} , t_{PLH} | HIGH-to-LOW and LOW-to-HIGH propagation delay A to Y | see Figure 7 | | | | |
| | | $V_{CC} = 0.8\text{ V}$ | - | 37.4 | - | ns |
| | | $V_{CC} = 1.1\text{ V to }1.3\text{ V}$ | 4.8 | 9.5 | 19.0 | ns |
| | | $V_{CC} = 1.4\text{ V to }1.6\text{ V}$ | 4.0 | 6.7 | 10.8 | ns |
| | | $V_{CC} = 1.65\text{ V to }1.95\text{ V}$ | 2.9 | 5.6 | 8.4 | ns |
| | | $V_{CC} = 2.3\text{ V to }2.7\text{ V}$ | 2.7 | 4.8 | 6.3 | ns |
| | | $V_{CC} = 3.0\text{ V to }3.6\text{ V}$ | 2.7 | 4.6 | 5.8 | ns |
| t_{PZH} , t_{PZL} | OFF-state to HIGH and OFF-state to LOW propagation delay \overline{OE} to Y | see Figure 8 | | | | |
| | | $V_{CC} = 0.8\text{ V}$ | - | 88.9 | - | ns |
| | | $V_{CC} = 1.1\text{ V to }1.3\text{ V}$ | 5.2 | 9.9 | 19.8 | ns |
| | | $V_{CC} = 1.4\text{ V to }1.6\text{ V}$ | 4.0 | 6.8 | 10.8 | ns |
| | | $V_{CC} = 1.65\text{ V to }1.95\text{ V}$ | 3.0 | 5.6 | 8.5 | ns |
| | | $V_{CC} = 2.3\text{ V to }2.7\text{ V}$ | 2.7 | 4.8 | 6.5 | ns |
| | | $V_{CC} = 3.0\text{ V to }3.6\text{ V}$ | 2.7 | 4.6 | 6.0 | ns |
| t_{PHZ} , t_{PLZ} | HIGH to OFF-state and LOW to OFF-state propagation delay \overline{OE} to Y | see Figure 8 | | | | |
| | | $V_{CC} = 0.8\text{ V}$ | - | 49.9 | - | ns |
| | | $V_{CC} = 1.1\text{ V to }1.3\text{ V}$ | 6.0 | 9.9 | 13.3 | ns |
| | | $V_{CC} = 1.4\text{ V to }1.6\text{ V}$ | 4.4 | 7.7 | 9.6 | ns |
| | | $V_{CC} = 1.65\text{ V to }1.95\text{ V}$ | 5.1 | 8.7 | 11.1 | ns |
| | | $V_{CC} = 2.3\text{ V to }2.7\text{ V}$ | 3.6 | 6.2 | 7.4 | ns |
| | | $V_{CC} = 3.0\text{ V to }3.6\text{ V}$ | 5.2 | 8.7 | 10.5 | ns |

Table 8: Dynamic characteristics ...continued
 Voltages are referenced to GND (ground = 0 V); for test circuit see [Figure 9](#)

| Symbol | Parameter | Conditions | Min | Typ [1] | Max | Unit |
|--------------------------------|-------------------------------|--|-----|---------|-----|------|
| T_{amb} = 25 °C | | | | | | |
| C _{PD} | power dissipation capacitance | f = 1 MHz; V _I = GND to V _{CC} | [2] | | | |
| | | output enabled | | | | |
| | | V _{CC} = 0.8 V | - | 2.7 | - | pF |
| | | V _{CC} = 1.1 V to 1.3 V | - | 2.8 | - | pF |
| | | V _{CC} = 1.4 V to 1.6 V | - | 2.9 | - | pF |
| | | V _{CC} = 1.65 V to 1.95 V | - | 3.0 | - | pF |
| | | V _{CC} = 2.3 V to 2.7 V | - | 3.6 | - | pF |
| | | V _{CC} = 3.0 V to 3.6 V | - | 4.2 | - | pF |

- [1] All typical values are measured at nominal V_{CC}.
- [2] C_{PD} is used to determine the dynamic power dissipation (P_D in μW).
 $P_D = C_{PD} \times V_{CC}^2 \times f_i \times N + \Sigma(C_L \times V_{CC}^2 \times f_o)$ where:
 f_i = input frequency in MHz;
 f_o = output frequency in MHz;
 C_L = output load capacitance in pF;
 V_{CC} = supply voltage in V;
 N = number of inputs switching;
 Σ(C_L × V_{CC}² × f_o) = sum of the outputs.

Table 9: Dynamic characteristics
 Voltages are referenced to GND (ground = 0 V); for test circuit see [Figure 9](#)

| Symbol | Parameter | Conditions | -40 °C to +85 °C | | -40 °C to +125 °C | | Unit |
|-------------------------------------|--|------------------------------------|------------------|------|-------------------|------|------|
| | | | Min | Max | Min | Max | |
| C_L = 5 pF | | | | | | | |
| t _{PHL} , t _{PLH} | HIGH-to-LOW and LOW-to-HIGH propagation delay A to Y | see Figure 7 | | | | | |
| | | V _{CC} = 1.1 V to 1.3 V | 2.5 | 11.7 | 2.5 | 12.9 | ns |
| | | V _{CC} = 1.4 V to 1.6 V | 2.0 | 7.3 | 2.0 | 8.1 | ns |
| | | V _{CC} = 1.65 V to 1.95 V | 1.7 | 6.1 | 1.7 | 6.7 | ns |
| | | V _{CC} = 2.3 V to 2.7 V | 1.4 | 4.3 | 1.4 | 4.9 | ns |
| | | V _{CC} = 3.0 V to 3.6 V | 1.2 | 3.9 | 1.2 | 4.4 | ns |
| t _{PZH} , t _{PZL} | OFF-state to HIGH and OFF-state to LOW propagation delay OE to Y | see Figure 8 | | | | | |
| | | V _{CC} = 1.1 V to 1.3 V | 2.9 | 13.9 | 2.9 | 15.4 | ns |
| | | V _{CC} = 1.4 V to 1.6 V | 2.3 | 7.7 | 2.3 | 8.3 | ns |
| | | V _{CC} = 1.65 V to 1.95 V | 2.0 | 6.2 | 2.0 | 6.8 | ns |
| | | V _{CC} = 2.3 V to 2.7 V | 1.7 | 4.5 | 1.7 | 5.0 | ns |
| | | V _{CC} = 3.0 V to 3.6 V | 1.7 | 3.5 | 1.7 | 3.9 | ns |
| t _{PHZ} , t _{PLZ} | HIGH to OFF-state and LOW to OFF-state propagation delay OE to Y | see Figure 8 | | | | | |
| | | V _{CC} = 1.1 V to 1.3 V | 2.7 | 7.3 | 2.7 | 8.2 | ns |
| | | V _{CC} = 1.4 V to 1.6 V | 2.1 | 5.1 | 2.1 | 5.7 | ns |
| | | V _{CC} = 1.65 V to 1.95 V | 2.0 | 5.0 | 2.0 | 5.7 | ns |
| | | V _{CC} = 2.3 V to 2.7 V | 1.4 | 3.3 | 1.4 | 4.1 | ns |
| | | V _{CC} = 3.0 V to 3.6 V | 1.7 | 3.4 | 1.7 | 3.9 | ns |

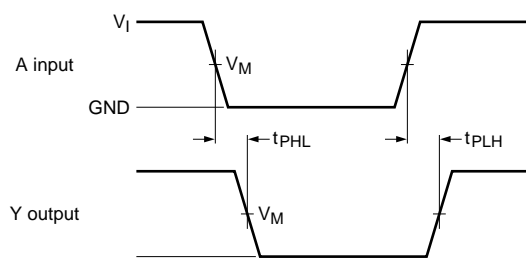
Table 9: Dynamic characteristics ...continuedVoltages are referenced to GND (ground = 0 V); for test circuit see [Figure 9](#)

| Symbol | Parameter | Conditions | -40 °C to +85 °C | | -40 °C to +125 °C | | Unit | |
|---|--|--|---|------|-------------------|------|------|----|
| | | | Min | Max | Min | Max | | |
| $C_L = 10 \text{ pF}$ | | | | | | | | |
| $t_{\text{PHL}}, t_{\text{PLH}}$ | HIGH-to-LOW and LOW-to-HIGH propagation delay A to Y | see Figure 7 | | | | | | |
| | | $V_{\text{CC}} = 1.1 \text{ V to } 1.3 \text{ V}$ | 3.0 | 13.8 | 3.0 | 15.2 | ns | |
| | | $V_{\text{CC}} = 1.4 \text{ V to } 1.6 \text{ V}$ | 1.9 | 8.5 | 1.9 | 9.4 | ns | |
| | | $V_{\text{CC}} = 1.65 \text{ V to } 1.95 \text{ V}$ | 1.7 | 6.8 | 1.7 | 7.6 | ns | |
| | | $V_{\text{CC}} = 2.3 \text{ V to } 2.7 \text{ V}$ | 1.6 | 5.3 | 1.6 | 5.9 | ns | |
| $t_{\text{PZH}}, t_{\text{PZL}}$ | OFF-state to HIGH and OFF-state to LOW propagation delay OE to Y | see Figure 8 | | | | | | |
| | | $V_{\text{CC}} = 1.1 \text{ V to } 1.3 \text{ V}$ | 3.4 | 15.8 | 3.4 | 17.5 | ns | |
| | | $V_{\text{CC}} = 1.4 \text{ V to } 1.6 \text{ V}$ | 2.2 | 8.6 | 2.2 | 9.4 | ns | |
| | | $V_{\text{CC}} = 1.65 \text{ V to } 1.95 \text{ V}$ | 1.9 | 6.8 | 1.9 | 7.4 | ns | |
| | | $V_{\text{CC}} = 2.3 \text{ V to } 2.7 \text{ V}$ | 1.7 | 5.3 | 1.7 | 5.9 | ns | |
| $t_{\text{PHZ}}, t_{\text{PLZ}}$ | HIGH to OFF-state and LOW to OFF-state propagation delay OE to Y | see Figure 8 | | | | | | |
| | | $V_{\text{CC}} = 1.1 \text{ V to } 1.3 \text{ V}$ | 3.4 | 8.8 | 3.4 | 9.9 | ns | |
| | | $V_{\text{CC}} = 1.4 \text{ V to } 1.6 \text{ V}$ | 2.2 | 6.2 | 2.2 | 7.1 | ns | |
| | | $V_{\text{CC}} = 1.65 \text{ V to } 1.95 \text{ V}$ | 1.9 | 6.3 | 1.9 | 7.1 | ns | |
| | | $V_{\text{CC}} = 2.3 \text{ V to } 2.7 \text{ V}$ | 1.7 | 4.5 | 1.7 | 5.1 | ns | |
| $C_L = 15 \text{ pF}$ | $t_{\text{PHL}}, t_{\text{PLH}}$ | HIGH-to-LOW and LOW-to-HIGH propagation delay A to Y | see Figure 7 | | | | | |
| | | | $V_{\text{CC}} = 1.1 \text{ V to } 1.3 \text{ V}$ | 3.3 | 15.8 | 3.3 | 17.5 | ns |
| | | | $V_{\text{CC}} = 1.4 \text{ V to } 1.6 \text{ V}$ | 2.5 | 9.8 | 2.5 | 10.9 | ns |
| | | | $V_{\text{CC}} = 1.65 \text{ V to } 1.95 \text{ V}$ | 2.0 | 7.9 | 2.0 | 8.8 | ns |
| | | | $V_{\text{CC}} = 2.3 \text{ V to } 2.7 \text{ V}$ | 1.8 | 6.0 | 1.8 | 6.7 | ns |
| $t_{\text{PZH}}, t_{\text{PZL}}$ | OFF-state to HIGH and OFF-state to LOW propagation delay OE to Y | see Figure 8 | | | | | | |
| | | $V_{\text{CC}} = 1.1 \text{ V to } 1.3 \text{ V}$ | 3.7 | 17.6 | 3.7 | 19.6 | ns | |
| | | $V_{\text{CC}} = 1.4 \text{ V to } 1.6 \text{ V}$ | 2.5 | 9.8 | 2.5 | 10.7 | ns | |
| | | $V_{\text{CC}} = 1.65 \text{ V to } 1.95 \text{ V}$ | 2.1 | 7.7 | 2.1 | 8.5 | ns | |
| | | $V_{\text{CC}} = 2.3 \text{ V to } 2.7 \text{ V}$ | 2.0 | 6.1 | 2.0 | 6.8 | ns | |
| $t_{\text{PHZ}}, t_{\text{PLZ}}$ | HIGH to OFF-state and LOW to OFF-state propagation delay OE to Y | see Figure 8 | | | | | | |
| | | $V_{\text{CC}} = 1.1 \text{ V to } 1.3 \text{ V}$ | 3.7 | 10.3 | 3.7 | 11.6 | ns | |
| | | $V_{\text{CC}} = 1.4 \text{ V to } 1.6 \text{ V}$ | 2.5 | 7.4 | 2.5 | 8.4 | ns | |
| | | $V_{\text{CC}} = 1.65 \text{ V to } 1.95 \text{ V}$ | 2.1 | 7.4 | 2.1 | 8.9 | ns | |
| | | $V_{\text{CC}} = 2.3 \text{ V to } 2.7 \text{ V}$ | 2.0 | 5.1 | 2.0 | 6.4 | ns | |
| $V_{\text{CC}} = 3.0 \text{ V to } 3.6 \text{ V}$ | | | 1.9 | 6.6 | 1.9 | 7.4 | ns | |

Table 9: Dynamic characteristics ...continued
 Voltages are referenced to GND (ground = 0 V); for test circuit see [Figure 9](#)

| Symbol | Parameter | Conditions | -40 °C to +85 °C | | -40 °C to +125 °C | | Unit |
|---|--|--|------------------|------|-------------------|------|------|
| | | | Min | Max | Min | Max | |
| $C_L = 30 \text{ pF}$ | | | | | | | |
| t_{PHL}, t_{PLH} | HIGH-to-LOW and LOW-to-HIGH propagation delay A to Y | see Figure 7 | | | | | |
| | | $V_{CC} = 1.1 \text{ V to } 1.3 \text{ V}$ | 4.4 | 21.6 | 4.4 | 24.0 | ns |
| | | $V_{CC} = 1.4 \text{ V to } 1.6 \text{ V}$ | 3.0 | 13.0 | 3.0 | 14.5 | ns |
| | | $V_{CC} = 1.65 \text{ V to } 1.95 \text{ V}$ | 2.6 | 10.3 | 2.6 | 11.5 | ns |
| | | $V_{CC} = 2.3 \text{ V to } 2.7 \text{ V}$ | 2.5 | 7.8 | 2.5 | 8.7 | ns |
| | | $V_{CC} = 3.0 \text{ V to } 3.6 \text{ V}$ | 2.5 | 7.5 | 2.5 | 8.3 | ns |
| t_{PZH}, t_{PZL} | OFF-state to HIGH and OFF-state to LOW propagation delay OE to Y | see Figure 8 | | | | | |
| | | $V_{CC} = 1.1 \text{ V to } 1.3 \text{ V}$ | 4.8 | 22.8 | 4.8 | 25.3 | ns |
| | | $V_{CC} = 1.4 \text{ V to } 1.6 \text{ V}$ | 3.1 | 12.6 | 3.1 | 14.1 | ns |
| | | $V_{CC} = 1.65 \text{ V to } 1.95 \text{ V}$ | 2.8 | 10.2 | 2.8 | 11.3 | ns |
| | | $V_{CC} = 2.3 \text{ V to } 2.7 \text{ V}$ | 2.6 | 7.8 | 2.6 | 8.8 | ns |
| | | $V_{CC} = 3.0 \text{ V to } 3.6 \text{ V}$ | 2.6 | 6.9 | 2.6 | 7.7 | ns |
| t_{PHZ}, t_{PLZ} | HIGH to OFF-state and LOW to OFF-state propagation delay OE to Y | see Figure 8 | | | | | |
| | | $V_{CC} = 1.1 \text{ V to } 1.3 \text{ V}$ | 4.8 | 14.8 | 4.8 | 16.5 | ns |
| | | $V_{CC} = 1.4 \text{ V to } 1.6 \text{ V}$ | 3.1 | 10.7 | 3.1 | 12.1 | ns |
| | | $V_{CC} = 1.65 \text{ V to } 1.95 \text{ V}$ | 2.8 | 12.4 | 2.8 | 13.8 | ns |
| | | $V_{CC} = 2.3 \text{ V to } 2.7 \text{ V}$ | 2.6 | 8.6 | 2.6 | 9.6 | ns |
| | | $V_{CC} = 3.0 \text{ V to } 3.6 \text{ V}$ | 2.6 | 10.8 | 2.6 | 13.1 | ns |

12. Waveforms



001aad070

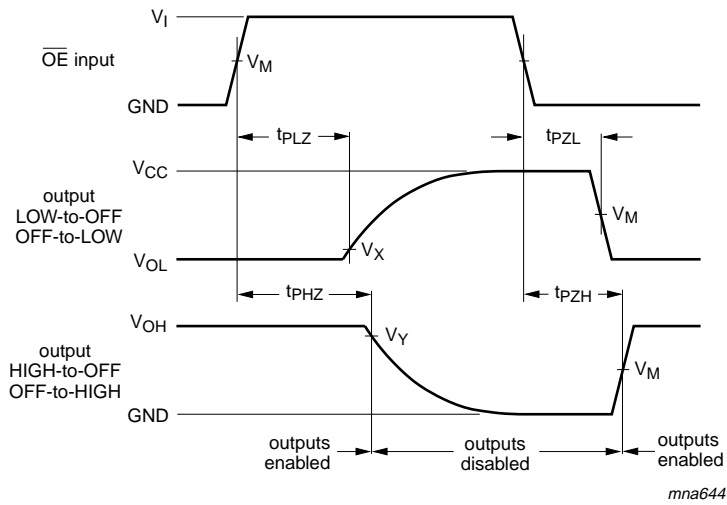
Measurement points are given in [Table 10](#).

Logic levels: V_{OL} and V_{OH} are typical output voltage drops that occur with the output load.

Fig 7. The data input (A) to output (Y) propagation delays

Table 10: Measurement points

| Supply voltage | Output | Input | | |
|----------------|---------------------|---------------------|----------|-----------------------|
| V_{CC} | V_M | V_M | V_I | $t_r = t_f$ |
| 0.8 V to 3.6 V | $0.5 \times V_{CC}$ | $0.5 \times V_{CC}$ | V_{CC} | $\leq 3.0 \text{ ns}$ |



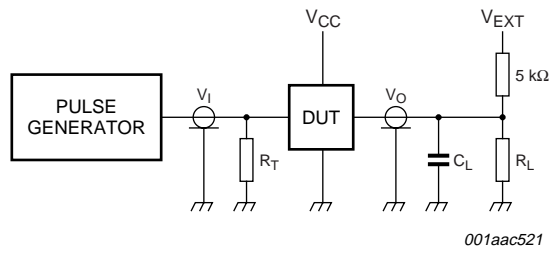
Measurement points are given in [Table 11](#).

Logic levels: V_{OL} and V_{OH} are typical output voltage drops that occur with the output load.

Fig 8. Turn-on and turn-off times

Table 11: Measurement points

| Supply voltage | Input | Output | | |
|-----------------|---------------------|---------------------|-------------------|-------------------|
| V_{CC} | V_M | V_M | V_X | V_Y |
| 0.8 V to 1.6 V | $0.5 \times V_{CC}$ | $0.5 \times V_{CC}$ | $V_{OL} + 0.1 V$ | $V_{OH} - 0.1 V$ |
| 1.65 V to 2.7 V | $0.5 \times V_{CC}$ | $0.5 \times V_{CC}$ | $V_{OL} + 0.15 V$ | $V_{OH} - 0.15 V$ |
| 3.0 V to 3.6 V | $0.5 \times V_{CC}$ | $0.5 \times V_{CC}$ | $V_{OL} + 0.3 V$ | $V_{OH} - 0.3 V$ |



Test data is given in [Table 12](#).

Definitions for test circuit:

R_L = Load resistance.

C_L = Load capacitance including jig and probe capacitance.

R_T = Termination resistance should be equal to the output impedance Z_o of the pulse generator.

V_{EXT} = External voltage for measuring switching times.

Fig 9. Load circuitry for switching times

Table 12: Test data

| Supply voltage | Load | | V_{EXT} | | |
|----------------|------------------------------|--------------|-----------------------|-----------------------|-----------------------|
| V_{CC} | C_L | R_L [1] | t_{PLH} , t_{PHL} | t_{PZH} , t_{PHZ} | t_{PZL} , t_{PLZ} |
| 0.8 V to 3.6 V | 5 pF, 10 pF, 15 pF and 30 pF | 5 kΩ or 1 MΩ | open | GND | $2 \times V_{CC}$ |

[1] For measuring enable and disable times $R_L = 5 \text{ k}\Omega$, for measuring propagation delays, setup and hold times and pulse width $R_L = 1 \text{ M}\Omega$.

13. Package outline

TSSOP5: plastic thin shrink small outline package; 5 leads; body width 1.25 mm

SOT353-1

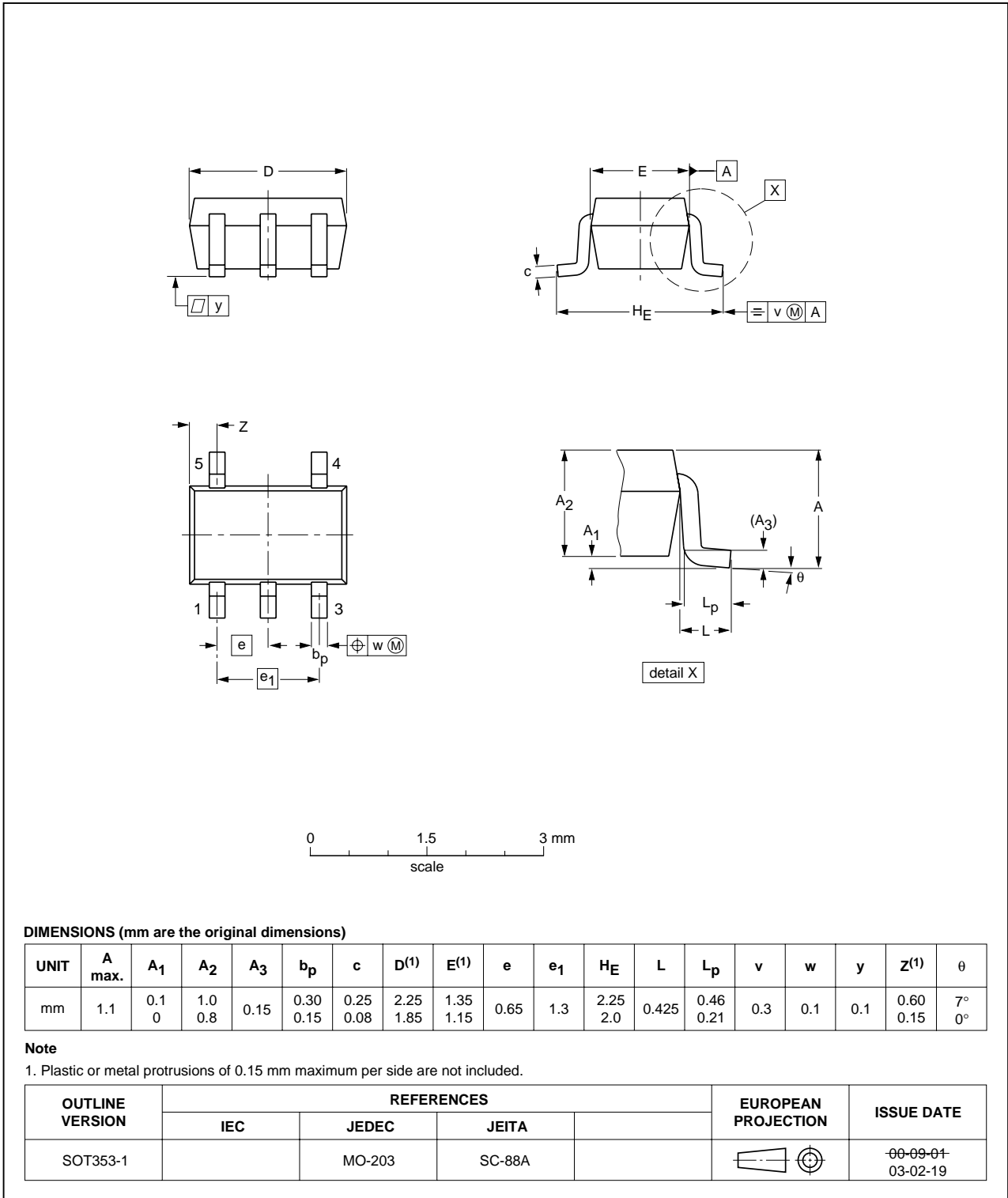


Fig 10. Package outline SOT353-1 (TSSOP5)

XSON6: plastic extremely thin small outline package; no leads; 6 terminals; body 1 x 1.45 x 0.5 mm

SOT886

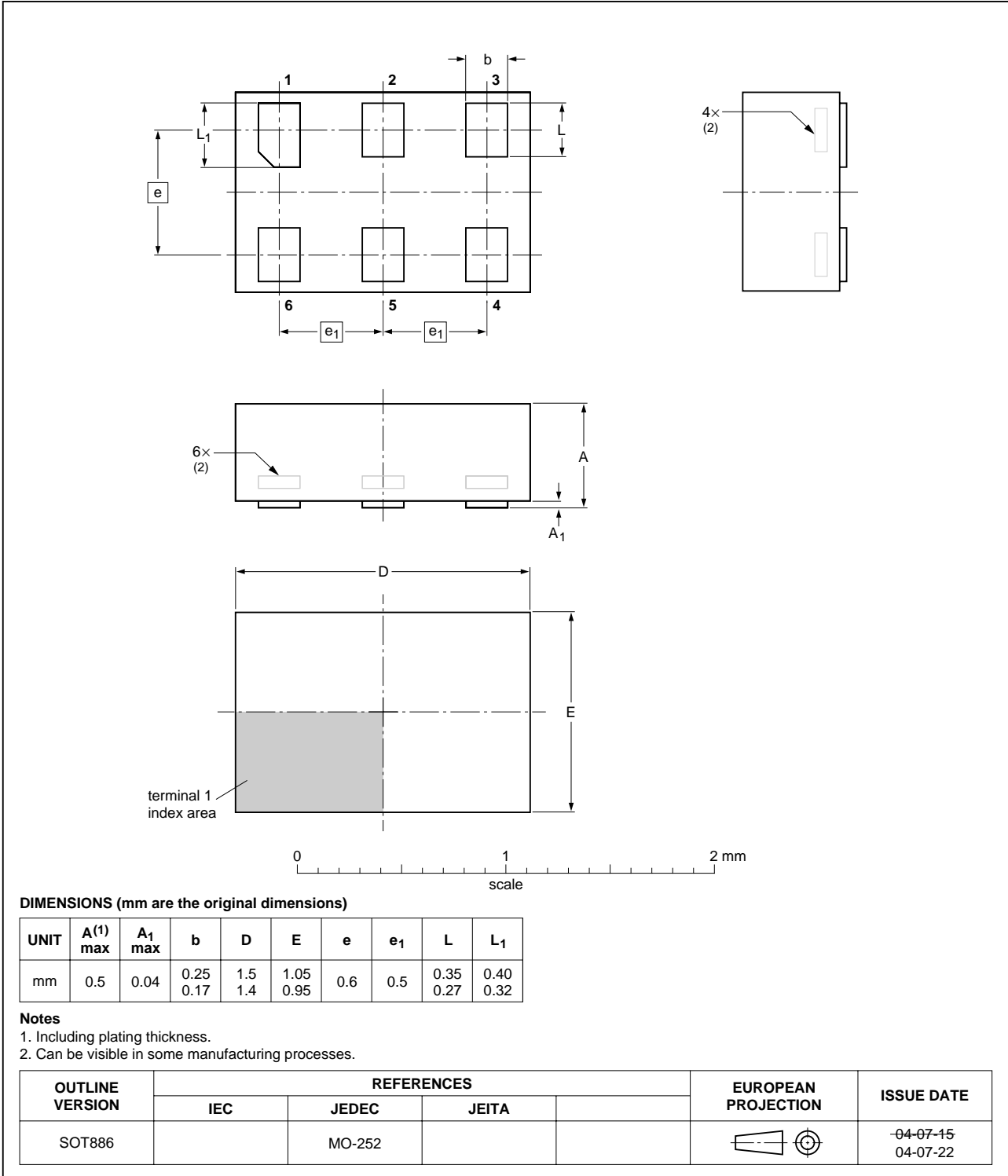


Fig 11. Package outline SOT886 (XSON6)

XSON6: plastic extremely thin small outline package; no leads; 6 terminals; body 1 x 1 x 0.5 mm

SOT891

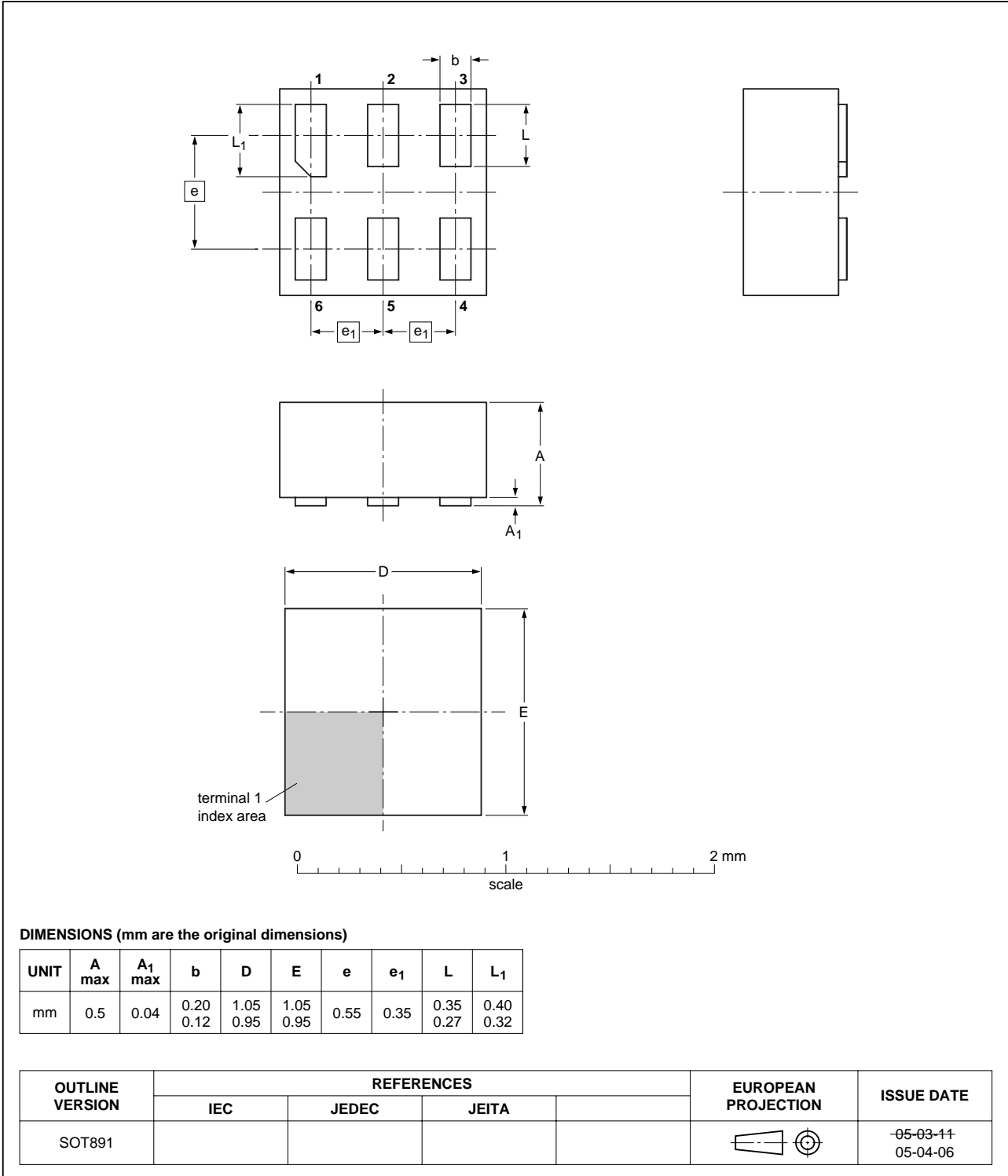


Fig 12. Package outline SOT891 (XSON6)

14. Abbreviations

Table 13: Abbreviations

| Acronym | Description |
|---------|---|
| CDM | Charged Device Model |
| CMOS | Complementary Metal Oxide Semiconductor |
| DUT | Device Under Test |
| ESD | ElectroStatic Discharge |
| HBM | Human Body Model |
| MM | Machine Model |
| TTL | Transistor Transistor Logic |

15. Revision history

Table 14: Revision history

| Document ID | Release date | Data sheet status | Change notice | Supersedes |
|----------------|---|--------------------|---------------|--------------|
| 74AUP1G125_2 | 20060630 | Product data sheet | - | 74AUP1G125_1 |
| Modifications: | <ul style="list-style-type: none">• ESD HBM and C_{PD} values modified in Section 2, Table 8• Added type number 74AUP1G125GF (XSON6/SOT891) package | | | |
| 74AUP1G125_1 | 20050718 | Product data sheet | - | - |

16. Legal information

16.1 Data sheet status

| Document status ^{[1][2]} | Product status ^[3] | Definition |
|-----------------------------------|-------------------------------|---|
| Objective [short] data sheet | Development | This document contains data from the objective specification for product development. |
| Preliminary [short] data sheet | Qualification | This document contains data from the preliminary specification. |
| Product [short] data sheet | Production | This document contains the product specification. |

[1] Please consult the most recently issued document before initiating or completing a design.

[2] The term 'short data sheet' is explained in section "Definitions".

[3] The product status of device(s) described in this document may have changed since this document was published and may differ in case of multiple devices. The latest product status information is available on the Internet at URL <http://www.semiconductors.philips.com>.

16.2 Definitions

Draft — The document is a draft version only. The content is still under internal review and subject to formal approval, which may result in modifications or additions. Philips Semiconductors does not give any representations or warranties as to the accuracy or completeness of information included herein and shall have no liability for the consequences of use of such information.

Short data sheet — A short data sheet is an extract from a full data sheet with the same product type number(s) and title. A short data sheet is intended for quick reference only and should not be relied upon to contain detailed and full information. For detailed and full information see the relevant full data sheet, which is available on request via the local Philips Semiconductors sales office. In case of any inconsistency or conflict with the short data sheet, the full data sheet shall prevail.

16.3 Disclaimers

General — Information in this document is believed to be accurate and reliable. However, Philips Semiconductors does not give any representations or warranties, expressed or implied, as to the accuracy or completeness of such information and shall have no liability for the consequences of use of such information.

Right to make changes — Philips Semiconductors reserves the right to make changes to information published in this document, including without limitation specifications and product descriptions, at any time and without notice. This document supersedes and replaces all information supplied prior to the publication hereof.

Suitability for use — Philips Semiconductors products are not designed, authorized or warranted to be suitable for use in medical, military, aircraft, space or life support equipment, nor in applications where failure or

malfunction of a Philips Semiconductors product can reasonably be expected to result in personal injury, death or severe property or environmental damage. Philips Semiconductors accepts no liability for inclusion and/or use of Philips Semiconductors products in such equipment or applications and therefore such inclusion and/or use is at the customer's own risk.

Applications — Applications that are described herein for any of these products are for illustrative purposes only. Philips Semiconductors makes no representation or warranty that such applications will be suitable for the specified use without further testing or modification.

Limiting values — Stress above one or more limiting values (as defined in the Absolute Maximum Ratings System of IEC 60134) may cause permanent damage to the device. Limiting values are stress ratings only and operation of the device at these or any other conditions above those given in the Characteristics sections of this document is not implied. Exposure to limiting values for extended periods may affect device reliability.

Terms and conditions of sale — Philips Semiconductors products are sold subject to the general terms and conditions of commercial sale, as published at <http://www.semiconductors.philips.com/profile/terms>, including those pertaining to warranty, intellectual property rights infringement and limitation of liability, unless explicitly otherwise agreed to in writing by Philips Semiconductors. In case of any inconsistency or conflict between information in this document and such terms and conditions, the latter will prevail.

No offer to sell or license — Nothing in this document may be interpreted or construed as an offer to sell products that is open for acceptance or the grant, conveyance or implication of any license under any copyrights, patents or other industrial or intellectual property rights.

16.4 Trademarks

Notice: All referenced brands, product names, service names and trademarks are the property of their respective owners.

17. Contact information

For additional information, please visit: <http://www.semiconductors.philips.com>

For sales office addresses, send an email to: sales.addresses@www.semiconductors.philips.com

18. Contents

| | | |
|-----------|---|-----------|
| 1 | General description | 1 |
| 2 | Features | 1 |
| 3 | Ordering information | 2 |
| 4 | Marking | 2 |
| 5 | Functional diagram | 2 |
| 6 | Pinning information | 3 |
| 6.1 | Pinning | 3 |
| 6.2 | Pin description | 3 |
| 7 | Functional description | 3 |
| 8 | Limiting values | 4 |
| 9 | Recommended operating conditions | 4 |
| 10 | Static characteristics | 5 |
| 11 | Dynamic characteristics | 8 |
| 12 | Waveforms | 13 |
| 13 | Package outline | 16 |
| 14 | Abbreviations | 19 |
| 15 | Revision history | 19 |
| 16 | Legal information | 20 |
| 16.1 | Data sheet status | 20 |
| 16.2 | Definitions | 20 |
| 16.3 | Disclaimers | 20 |
| 16.4 | Trademarks | 20 |
| 17 | Contact information | 20 |
| 18 | Contents | 21 |



Please be aware that important notices concerning this document and the product(s) described herein, have been included in section 'Legal information'.

© Koninklijke Philips Electronics N.V. 2006. All rights reserved.

For more information, please visit: <http://www.semiconductors.philips.com>.

For sales office addresses, email to: sales.addresses@www.semiconductors.philips.com.

Date of release: 30 June 2006

Document identifier: 74AUP1G125_2